

# BAХI

Производство газовых котлов, мощностью до 3,5 мВт, дизельных котлов, бойлеров, газовых колонок, электрических проточных и накопительных водонагревателей, конвекторов, горелок,каминов.



**Адрес:**

129164, Россия, г. Москва, Зубарев пер., 15/1, Бизнес-центр "Чайка Плаза", офис 342



**Тел/факс:**

(495) 101-39-14 (многоканальный), 733-95-82 / 83 / 84 / 85



**E-mail:**

[baxi@baxi.ru](mailto:baxi@baxi.ru)



**URL:**

[www.baxi.ru](http://www.baxi.ru)

## ОПИСАНИЕ ПРЕДОСТАВЛЕННЫХ МАТЕРИАЛОВ

<b>01</b>	Презентация компании. Дилеры. Цены	<a href="#"><u>&gt;&gt;&gt;</u></a>
<b>02</b>	Каталог оборудования BAXI 2008	<a href="#"><u>&gt;&gt;&gt;</u></a>
<b>03</b>	Каталог аксессуаров-2008 (цены и фото)	<a href="#"><u>&gt;&gt;&gt;</u></a>
<b>04</b>	Каталог оборудования (модельный ряд) - 2008	<a href="#"><u>&gt;&gt;&gt;</u></a>
<b>05</b>	Котлы газовые BAXI	<a href="#"><u>&gt;&gt;&gt;</u></a>
<b>06</b>	Газовые водонагреватели BAXI	<a href="#"><u>&gt;&gt;&gt;</u></a>
<b>07</b>	Бойлеры BAXI	<a href="#"><u>&gt;&gt;&gt;</u></a>
<b>08</b>	Аксессуары BAXI	<a href="#"><u>&gt;&gt;&gt;</u></a>
<b>09</b>	Каталог запчастей - бойлеры	<a href="#"><u>&gt;&gt;&gt;</u></a>
<b>10</b>	Каталог запчастей - газовые водонагреватели	<a href="#"><u>&gt;&gt;&gt;</u></a>
<b>11</b>	Каталог запчастей - котлы	<a href="#"><u>&gt;&gt;&gt;</u></a>
<b>12</b>	Каталог запчастей - электро- водонагреватели	<a href="#"><u>&gt;&gt;&gt;</u></a>
<b>13</b>	SAGN (газовые водонагреватели) запчасти и цены	<a href="#"><u>&gt;&gt;&gt;</u></a>
<b>14</b>	Котлы-запчасти и цены	<a href="#"><u>&gt;&gt;&gt;</u></a>
<b>15</b>	Прайс-лист на запчасти-котлы и бойлеры	<a href="#"><u>&gt;&gt;&gt;</u></a>
<b>16</b>	Электрические водонагреватели - цены на запчасти	<a href="#"><u>&gt;&gt;&gt;</u></a>
<b>17</b>	Сертификаты	<a href="#"><u>&gt;&gt;&gt;</u></a>

## ОПИСАНИЕ ПРЕДОСТАВЛЕННЫХ МАТЕРИАЛОВ

<b>18</b>	Презентация компании BAXI SA. Дилеры CHARPEE. Цены	<a href="#"><u>&gt;&gt;&gt;</u></a>
<b>19</b>	Каталог оборудования CHARPEE 2008	<a href="#"><u>&gt;&gt;&gt;</u></a>
<b>20</b>	Стальные панельные радиаторы SAMBA	<a href="#"><u>&gt;&gt;&gt;</u></a>
<b>21</b>	Бойлеры CHARPEE	<a href="#"><u>&gt;&gt;&gt;</u></a>
<b>22</b>	Горелки CHARPEE	<a href="#"><u>&gt;&gt;&gt;</u></a>
<b>23</b>	Котлы CHARPEE	<a href="#"><u>&gt;&gt;&gt;</u></a>
<b>24</b>	Панели управления CHARPEE	<a href="#"><u>&gt;&gt;&gt;</u></a>
<b>25</b>	Радиаторы CHARPEE	<a href="#"><u>&gt;&gt;&gt;</u></a>
<b>26</b>	Солнечные панели CHARPEE	<a href="#"><u>&gt;&gt;&gt;</u></a>
<b>27</b>	Каталог запчастей CHARPEE	<a href="#"><u>&gt;&gt;&gt;</u></a>
<b>28</b>	Сертификаты CHARPEE	<a href="#"><u>&gt;&gt;&gt;</u></a>

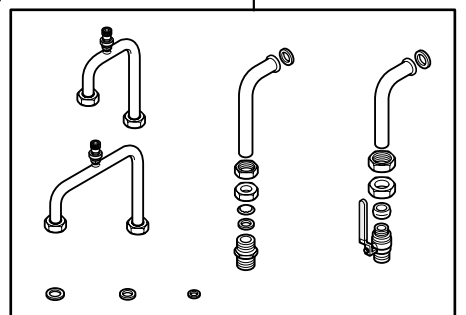
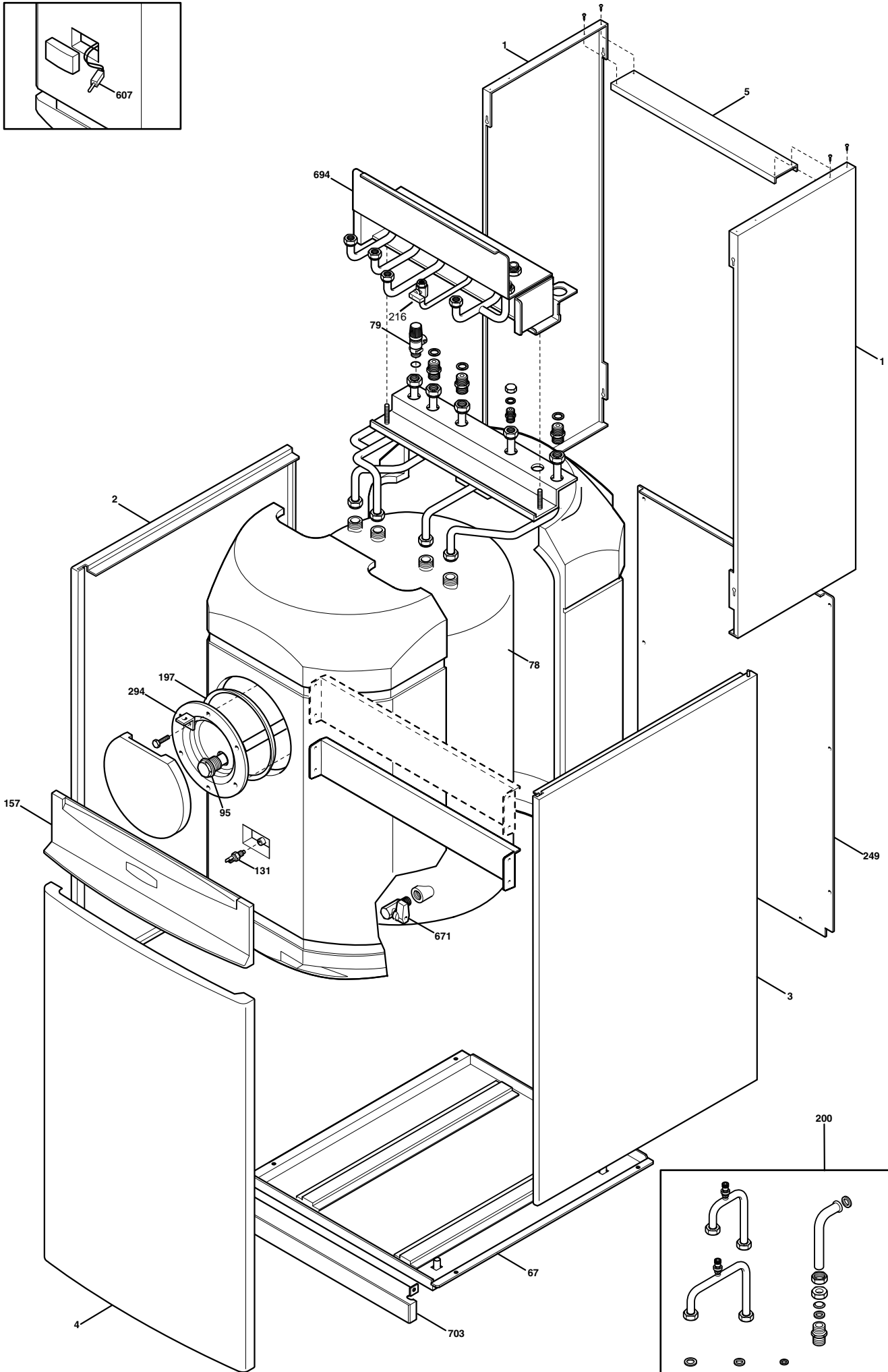
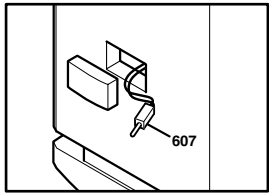
**BAXI S.p.A.**

**MODULO**

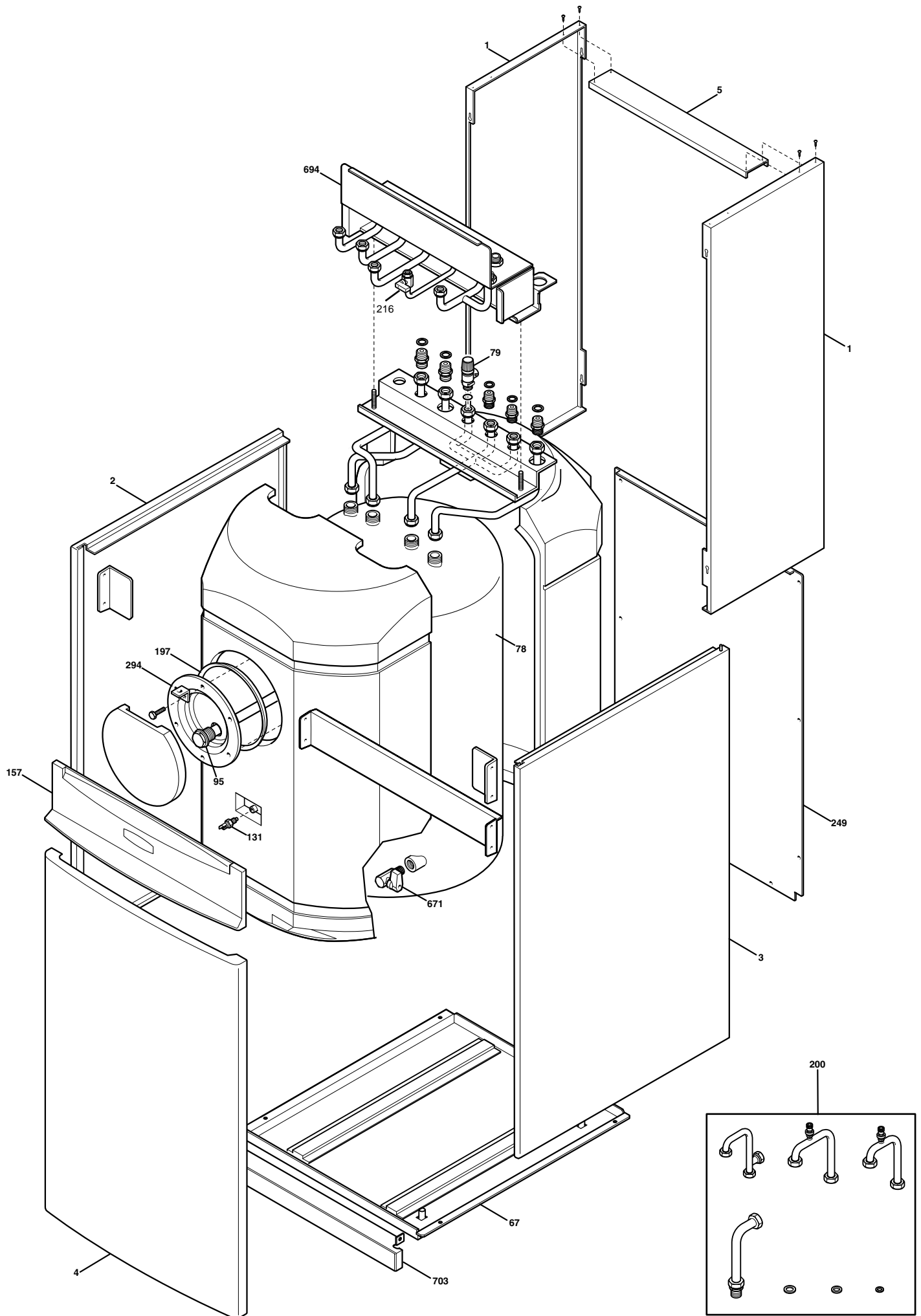
**SPARE PARTS LIST**

**- July 2004 -**

# MODULO-01



# MODULO-02

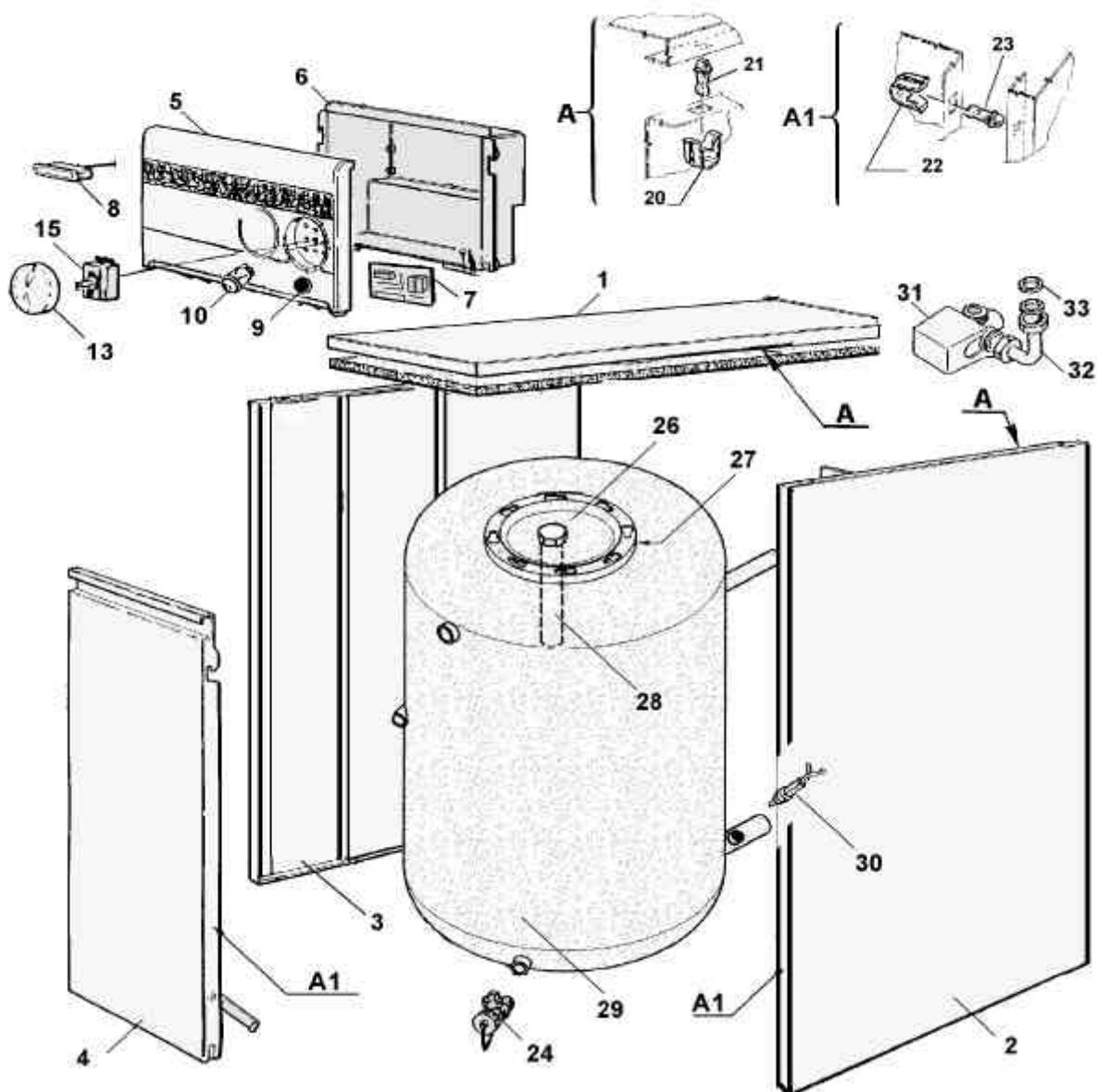


# MODULO

KSL T1 A08471/0-1 MODULO 80 litri  
KSL T1 A08471/2 MODULO 80 litri

Pos.	Descrizione	Description	Code	01	02	From serial number	To serial number	Inter-changeable	Note
1	SPALLA POSTERIORE MODULO	REAR PANEL	3110020	●	●				
2	GRUPPO SPALLA SX MODULO	LEFT PANEL	616440	●	●				
3	GRUPPO SPALLA DX MODULO	RIGHT PANEL	616430	●	●				
4	ASS. PANNELLO FRONT. MODULO	DOOR ASSEMBLY	615640	●	●				
5	TRAVERSA SPALLE POSTERIORI	REAR PANEL TRAVERSE	3110030	●	●				
67	ASS. BACINELLA UB 80 INOX	BOILER BASIN ASSEMBLY	3619910	●	●				
78	GR. BOLLITORE ISOL. 80 INOX	STORAGE TANK ASSEMBLY WITH INSULATION	616330		●				
78	GR. BOLLITORE ISOL. 80 INOX	STORAGE TANK ASSEMBLY WITH INSULATION	615560	●			B336	N	
78	GR. BOLLITORE ISOL. 80 INOX	STORAGE TANK ASSEMBLY WITH INSULATION	616330	●		B337			
79	VALVOLA DI SICUR. M G1/2 8 BAR	CYLINDER SAFETY VALVE -8 BAR-	9950620	●	●				
95	ASSIEME TAPPO/ANODO L=365	MAGNESIUM ANODE/CAP ASSEMBLY	3619980	●	●				
131	SONDA RAPIDA HONEYWELL-SO11001	NTC SENSOR	8434820		●				
131	SONDA RAPIDA HONEYWELL-SO11001	NTC SENSOR	8434820	●		B337			
157	MASCHERINA x MODULO UB 80	PRINTED CONTROL PANEL	3401990	●	●				
197	GUARN. FLANGIA UB 80/120 INOX	O-RING OF UB 80/120 INOX	3401860	●	●				
200	DOTAZIONE CALDAIA MODULO	CONNECTION ASSEMBLY	3620300	●					
200	DOTAZIONE CALDAIA MODULO	CONNECTION ASSEMBLY	3620640		●				
216	RUBINETTO A SQUADRA MF G1/2	FILLING TAP	9951230	●	●				
249	POSTERIORE MODULO UB 80	REAR	3109950	●	●				
294	ASS. FLANG./ANODO UB 80/120	FLANGE/ANODE ASSEMBLY	3619970	●	●				
607	SONDA BOILER A CONTATTO	BOILER NTC SENSOR	8434930	●			B336		
671	RUBINETTO SCARICO COPPER G1/2	DRAINING TAP	5646780	●	●				
694	GRUPPO CONNESSIONE MODULO	MODULO CONNECTION GROUP	615650	●	●				
703	ZOCCOLO	BASE	3109960	●	●				

# UB 80/ 120 (LUNA)

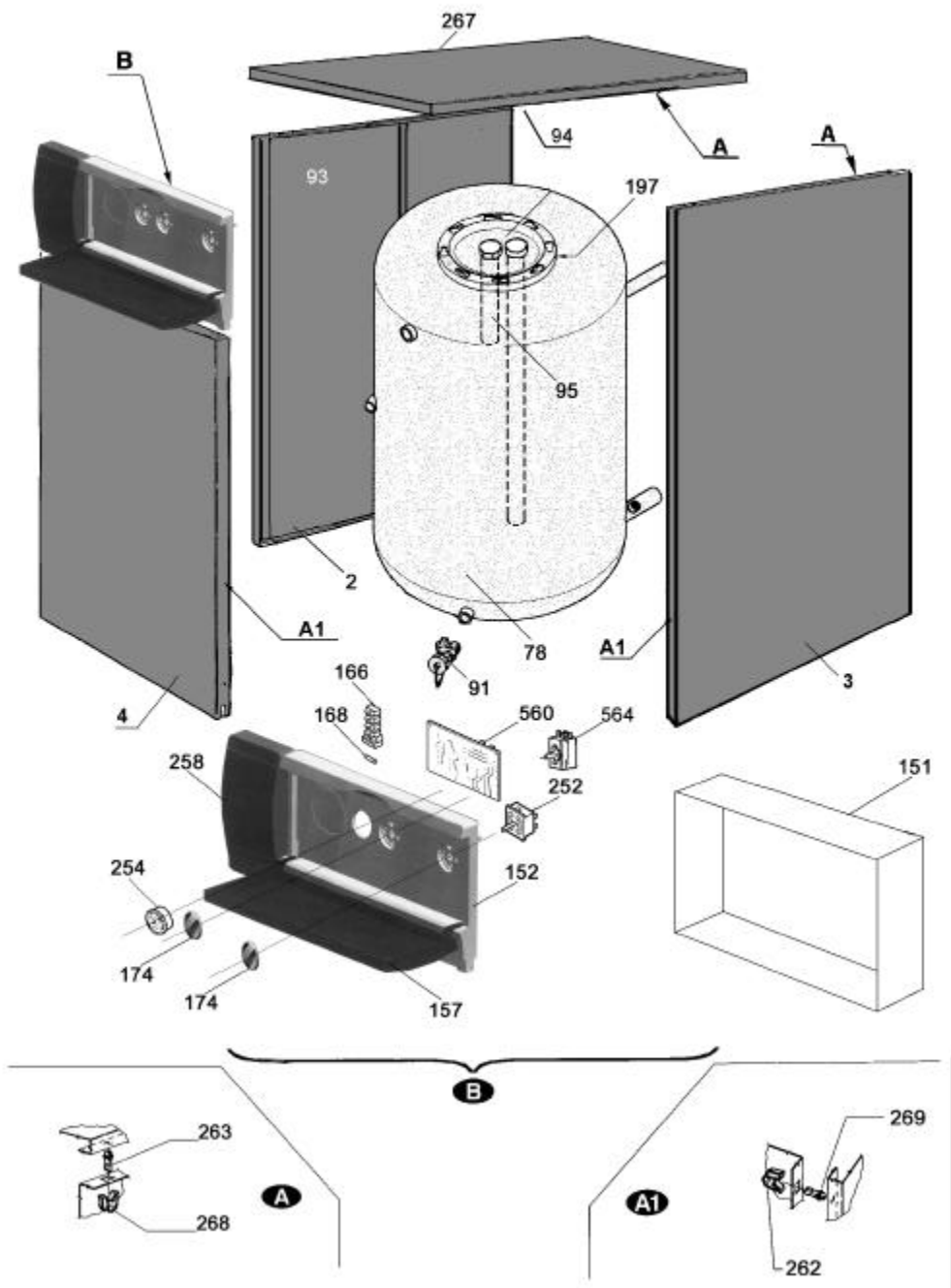


## UB 80 (KSG714031710) / UB 120 (KSG714031810)

Pos.	Cod.	Description	Pos.	Cod.	Description
1	3107980	TOP PANEL 80 L.	10	8630150	SWITCH
1	3107970	TOP PANEL 120 L.	13	3610710	KNOB
2	3610980	RIGHT PANEL 80 L.	15	8630060	REGULATION THERMOSTAT
2	3611030	RIGHT PANEL 120 L.	20	3400380	FIXING ELEMENT (F)
3	3610990	LEFT PANEL 80 L.	21	3400390	FIXING ELEMENT (M)
3	3611040	LEFT PANEL 120 L.	22	3400400	FIXING ELEMENT (F)
4	3611010	DOOR ASSEMBLY 80 L.	23	3400410	FIXING ELEMENT (M)
4	3611080	DOOR ASSEMBLY 120 L.	24	5646780	DRAIN TAP (ex 3603880)
5	3610720	CONTROL PANEL 80 L.	26	3610890	FLANGE WITH ANODE 80 L.
5	3610730	CONTROL PANEL 120 L.	26	3610900	FLANGE WITH ANODE 120 L.
-	3611000	CONTROL BOX ASSEMBLY 80 L.	27	3401040	FLANGE GASKET
-	3611050	CONTROL BOX ASSEMBLY 120 L.	28	3609530	ANODE G3/4 80 L.
-	3202210	LATERAL INSULATION 80 L.	28	3610880	ANODE G3/4 120 L.
-	3202220	LATERAL INSULATION 120 L.	29	3610760	TANK ASSEMBLY 80 L.
-	3202190	TOP INSULATION 80 L.	29	3610780	TANK ASSEMBLY 120 L.
-	3202200	TOP INSULATION 120 L.	30	8433090	NTC - SENSOR
6	3400650	REAR CONTROL BOX PANEL	31	3611120	3 WAY VALVE ASSEMBLY
7	3610870	PRINTED CIRCUIT BOARD	32	5630610	3 WAY VALVE PIPE
8	8630010	THERMOMETER 0-120°C	33	5404650	GASKET G 3/4
9	8620180	GREEN LAMP			

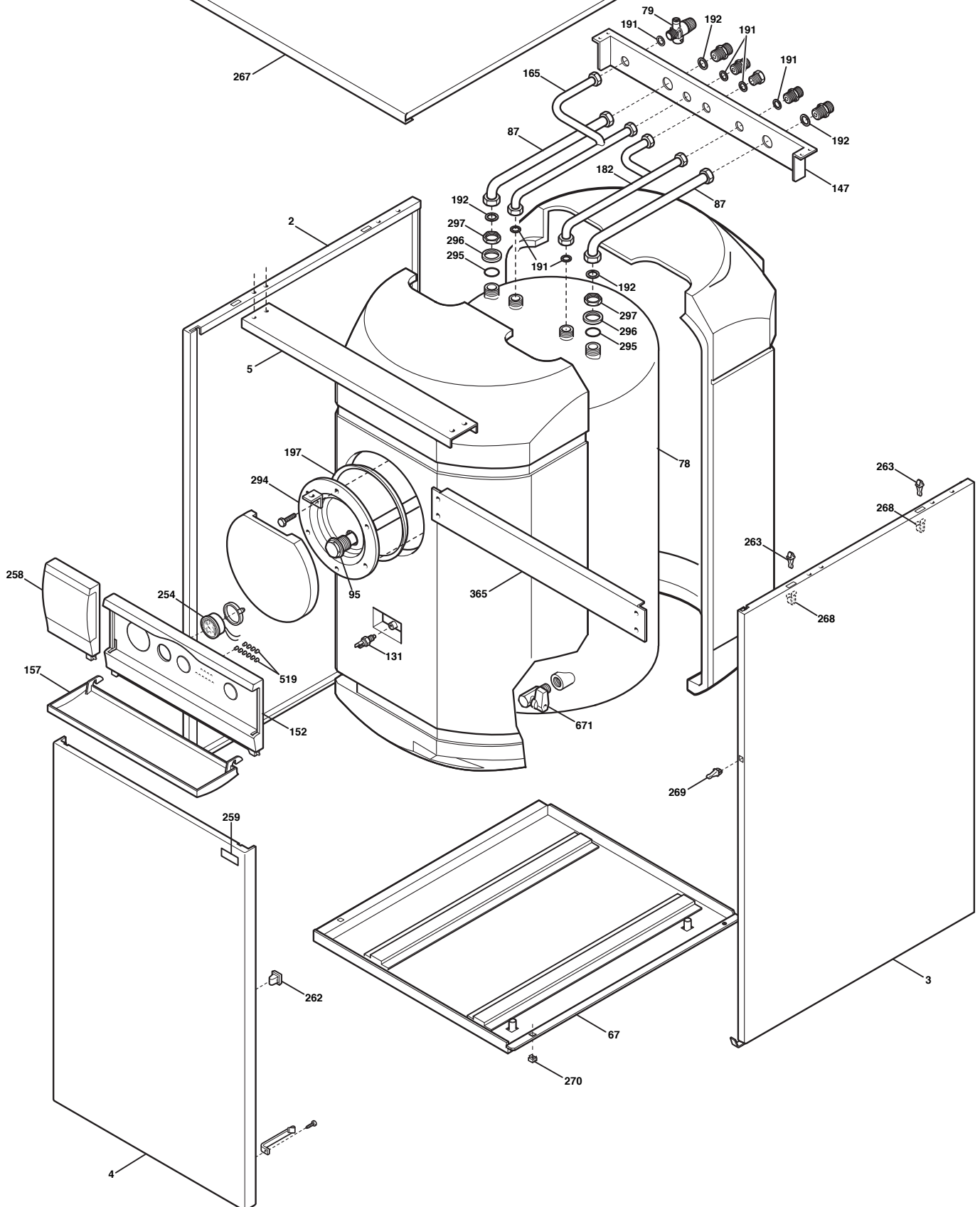
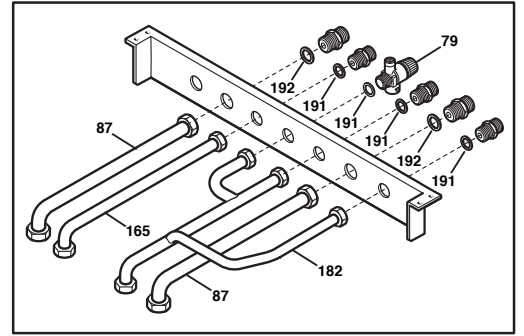
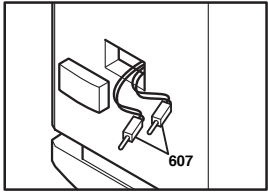


# SLIM UB 80 / 120



<b>Pos.</b>	<b>SLIM UB80 KSW 714070910</b>	<b>SLIM UB120 KSW 714071010</b>	<b>Descrizione</b>	<b>Description</b>
<b>2</b>	3618950	3618980	GRUPPO SPALLA SINISTRA	LEFT PANEL
<b>3</b>	3618940	3618990	GRUPPO SPALLA DESTRA	RIGHT PANEL
<b>4</b>	3618960	3618970	GRUPPO PORTINA	DOOR
<b>78</b>	3610760	3610780	ASSIEME BOLLITORE	STORAGE TANK ASSEMBLY
<b>91</b>	5646780	5646780	RUBINETTO DI SCARICO	DRAINING TAP
<b>93</b>	3202210	3202220	ISOLAMENTO LATERALE	SIDE INSULATION
<b>94</b>	3202190	3202200	ISOLANTE SUPERIORE	TOP INSULATION
<b>95</b>	3609530	3610880	GRUPPO ANODO AL MAGNESIO	ANODE ASSEMBLY
<b>151</b>	3401610	3401610	SCATOLA ELETTRICA	ELECTRIC BOX
<b>152</b>	3618900	3618900	CRUSCOTTO	CONTROL PANEL CASING
<b>157</b>	3401620	3401620	ANTINA CRUSCOTTO 2000/1	CONTROL PANEL DOOR
<b>166</b>	8421590	8421590	MORSETTIERA 5P C/PORTAFUSIBILE	TERMINAL BOARD -5 POLES-
<b>168</b>	9950580	9950580	FUSIBILE 2A 250V	FUSE -2A 250V-
<b>174</b>	5408150	5408150	MANOPOLA SILVER	WHITE KNOB
<b>197</b>	3401040	3401040	GUARN. FLANGIA UB 80/120	GASKET UB 80/120
<b>252</b>	8434550	8434550	COMMUTATORE	SELECTOR SWITCH -4 POSITIONS-
<b>254</b>	8922410	8922410	TERMOMETRO	THERMOMETER
<b>258</b>	3401630	3401640	PROLUNGA CRUSCOTTO	CONTROL PANEL EXTENSION
<b>262</b>	3400400	3400400	CHIUSURA F	FASTENING (FEMALE)
<b>263</b>	3400390	3400390	CHIUSURA M	FASTENING (MALE)
<b>267</b>	3109250	3109260	CAPPELLO	TOP PANEL
<b>268</b>	3400380	3400380	CHIUSURA F	FASTENING (FEMALE)
<b>269</b>	3400410	3400410	CHIUSURA M	FASTENING (MALE)
<b>560</b>	3606580	3606580	SCHEDA CABLAGGIO	WIRING PCB
<b>564</b>	8630410	8630410	TERMOSTATO REGOLAZIONE	ADJUSTING THERMOSTAT
<b>B</b>	3618920	3618930	PANNELLO COMANDI COMPLETO	COMPLETE CONTROL PANEL
-			KIT POMPA COLLEGAMENTO UB/CALD	PUMP KIT (CONNECTION UB-BOILER)

# UB 80-120 inox



# UB 80-120 INOX

KSG714084410-1 UB 80 INOX  
KSG714084510-1 UB 120 INOX

Pos.	Descrizione	Description	Code			From serial number	To serial number	Inter-changeable
2	GR.SPALLA SX UB INOX RAL W9003	LEFT PANEL RAL W9003	615580	●	●			
3	GR.SPALLA DX UB INOX RAL W9003	RIGHT PANEL RAL W9003	615570	●	●			
4	GR.PORTA UB 450 INOX RAL W9003	DOOR UB 450 INOX RAL W9003	615600	●				
4	GR.PORTA UB 600 INOX RAL W9003	DOOR UB 600 INOX RAL W9003	615630		●			
5	TRAVERSA COLLEG.MONTANTI	CONNECTION TRAVERSE	5110290	●				
5	TRAVERSA COLLEG.SPALLE UB 120	CONNECTION TRAVERSE UB 120	3105790		●			
67	ASS. BACINELLA UB 80 INOX	BASIN UB 80 INOX	3619910	●				
67	ASS.BACINELLA UB 120 INOX	BASIN UB 120 INOX	3619920		●			
78	GR. BOLLITORE ISOL. 80 INOX	CYLINDER BOILER ISOL. 80 INOX	615560	●			B346	N
78	GR. BOLLITORE ISOL. 80 INOX	CYLINDER BOILER ISOL. 80 INOX	616330	●		B347		
78	GR.BOLLITORE ISOL.120INOX	CYLINDER BOILER ISOL. 120 INOX	615610		●		B342	N
78	GR.BOLLITORE ISOL.120INOX	CYLINDER BOILER ISOL. 120 INOX	616400		●	B343		
79	VALVOLA DI SICUR. M G1/2 8 BAR	SAFETY VALVE G1/2 8 BAR	9950620	●	●			
87	ASSIEME TUBO E.U.SERP.UB	INLET-OUTLET PIPE CYLINDER	3619990	●	●			
95	ASSIEME TAPPO/ANODO L=365	TAP ANODE	3619980	●	●			
131	SONDA NTC MOD. S010057 HT	NTC SENSOR MOD. S010057 HT	8434840		●	B343		
131	SONDA NTC MOD. S010057 HT	NTC SENSOR MOD. S010057 HT	8434840	●		B347		
131	SONDA RAPIDA HONEYWELL-SO11001	NTC SENSOR HONEYWELL	8434820		●	B343		
131	SONDA RAPIDA HONEYWELL-SO11001	NTC SENSOR HONEYWELL	8434820	●		B347		
147	TRAV.PORTARAC.UB 120 INOX	TRAVERSE UB 120 INOX	3109690		●			
147	TRAV.PORTARACC.UB 80 INOX	TRAVERSE UB 80 INOX	3109680	●				
152	CRUS.SERIG.UB 80/120 INOX	PRINTED CONTROL PANEL UB 80/120 INOX	3620020	●	●			
157	ANTINA CRUSCOTTO 2000/1	PRINTED CONTROL PANEL DOOR	3401620	●	●			
165	ASS.TUBO U.S./VALVOLA SIC.	SANITARY OUTLET PIPE	3620000	●	●			
182	ASSIEME TUBO E.S.RICIRCOLO	PIPE	3620010	●	●			
191	GUARNIZIONE G1/2 12X18X2 WRC	GASKET G1/2 12x18x2 WRC	5404640	●	●			
192	GUARNIZIONE G3/4 17X24X2 WRC	GASKET G3/4 17x24x2 WRC	5404650	●	●			
197	GUARN. FLANGIA UB 80/120 INOX	FLANGE GASKET UB 80/120 INOX	3401860	●	●			
254	TERMOMETRO T&G 0-120°	THERMOMETER	8922410	●	●			
258	PROLUNGA CRUSC. L-250 2001	PRINTED CONTROL PANEL EXTENSION L 250 2	3401640		●			
258	PROLUNGA CRUSC.L-100 2001	PRINTED CONTROL PANEL EXTENSION L 100 2	3401630	●				
259	MARCHIO BAXI	BAXI MARK	5657100	●	●			
262	CHIUSURA F.FASTPOINT 0191.AA01	FASTPOINT CLOSED	3400400	●	●			
263	CHIUSURA M.FASTPOINT 0194.AA01	FASTPOINT OPENED	3400390	●	●			
267	CAPPELLO UB 450 INOX RAL W9003	COVER UB 450 INOX RAL W9003	3109760	●				
267	CAPPELLO UB 600 INOX RAL W9003	COVER UB 600 INOX RAL W9003	3109770		●			
268	CHIUSURA F.FASTPOINT 0193.AA01	FASTPOINT CLOSED	3400380	●	●			
269	CHIUSURA M.FASTPOINT 0192.AA01	FASTPOINT OPENED	3400410	●	●			
270	DADO IN GABBIA M4 75/817C ZN	NUT	8240560	●	●			
294	ASS. FLANG./ANODO UB 80/120	FLANGE/ANODO UB 80/120	3619970	●	●			
295	ANELLO OR 26X4	O-RING 26x4	5406870	●	●			
296	ANELLO DI BATTUTA	RING	5209650	●	●			
297	CONTRODADO G3/4 CH32X6,5 (H)	LOCK NUT G3/4	5209970	●	●			
365	TRAV.SPAL/BOLL.UB 80 INOX	TRAVERSE UB 80 INOX	3109720	●				
365	TRAV.SPAL/BOLL.UB120 INOX	TRAVERSE UB 120 INOX	3109730		●			
519	GEMMA SEGNALAZIONE LUNA	LED	5407780	●	●			
607	SONDA BOILER A CONTATTO	CONTACT BOILER SENSOR	8434670		●		B342	
607	SONDA BOILER A CONTATTO	CONTACT BOILER SENSOR	8434930		●		B342	
607	SONDA BOILER A CONTATTO	CONTACT BOILER SENSOR	8434670	●			B346	
607	SONDA BOILER A CONTATTO	CONTACT BOILER SENSOR	8434930	●			B346	
671	RUBINETTO SCARICO COPPER G1/2	DRAIN TAP	5646780	●	●			
999	CAB.SONDA BOILER/CONTATTO	CONTACT BOILER SENSOR WIRING	8611920		●		B342	N
999	CAB.SONDA BOILER/CONTATTO	CONTACT BOILER SENSOR WIRING	8611920	●			B346	N
999	CABLAGGIO SONDA BOILER	CONTACT BOILER SENSOR WIRING	8611980		●	B343		
999	CABLAGGIO SONDA BOILER	CONTACT BOILER SENSOR WIRING	8611980	●		B347		



